

# VBI Inserters Data Generators

*Software solutions developed on KIWI hardware platform*

Advanced Inserter package  
**VB100** on KIWI

Advanced inserter package  
with data generators  
**VB200** on KIWI

Advanced inserter package  
with control capabilities  
**VB310** on KIWI

Customized version upon request

# Tcube



**KIWI**

*OS-free 'computer' designed for SDI  
Second to none*

*KIWI has everything to suit your needs*

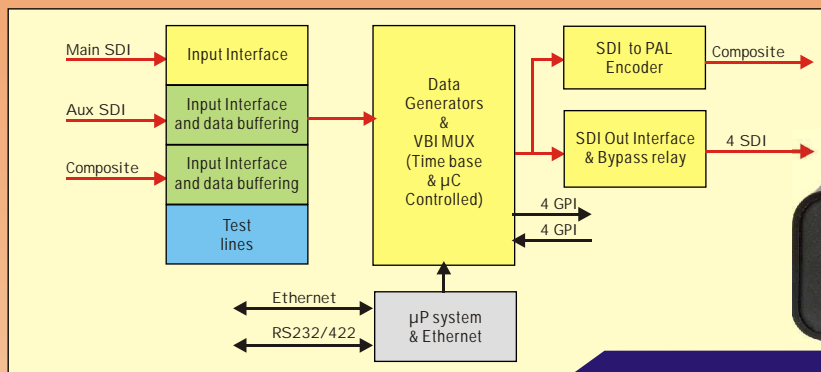
- Dual SDI Inputs
- Analogue input
- SDI and composite Outputs
- Power fail relay bypass (SDI to SDI)
- Redundant Power Supply
- Ethernet connection
- GPI I/O
- Field upgradable firmware from Compact Flash



## VB general features

- ❑ Serial 4:2:2 Input and Outputs + PAL monitoring Output
- ❑ Bypass relay on power fail
- ❑ Transparent to embedded audio of Main SDI In
- ❑ For each VBI ligne, 5 different process capabilities: pass, blank, insert a VBI line from the 2 ancillary inputs (Composite and SDI) or insert internally stored digital test lines
- ❑ Ancillary inputs have VBI buffer to sustain asynchronous sources
- ❑ WSS, AFD, and Video index generators (static or controlled by GPI)
- ❑ VPS generator plus youth and audio Reader/Editor (static or controlled by GPI)
- ❑ VITC, CC and Teletext test generator (Packet 8/30)
- ❑ AFD Bar & Data generator
- ❑ 2 GPI Out, 4 GPI In
- ❑ Total control from front panel
- ❑ 10baseT Ethernet network connector
- ❑ 1RU height, half 19" width (2 units in 1RU)

Specific development upon request  
(E.g. Automation support, VPS editor, ...)



## ORDERING INFORMATION

### KIWI

- Universal SDI to SDI OS free computer
- External Power Supply
- 10 base T network capability

### VB100 application

- VBI databridge from asynchronous composite PAL and Ancillary SDI Ins
- Internal test lines Inserter

### VB200 application

- same as VB100 plus
- WSS, AFD, VPS and Video Index encoder

### VB250 application

- same as VB200 plus
- AFD-Bar & Data, Teletext (packet 8/30), CC(test), VITC Generator

### VB310 application

- Same as VB200 plus
- VPS reader and editor (Youth and Audio), content taken from any of the 3 inputs

### VB-GPI application

- Specific for transport of GPI over a VBI ligne

### VB-RS application

- Specific for transport of RS data over a VBI ligne

### RM1

- Rack mounting mechanics for 1 or 2 KIWI modules

### RPSU

- Redundant & Hot Swap external Power Supply