

Data Logging and Monitoring

Software solutions developed on KIWI hardware platform

VPS AFD/WSS Supervisor package
VW50 on KIWI

VPS WSS Supervisor and Documentation
package with OSD capabilities
VW100 or VW200 on KIWI

SigWatch



KIWI

OS-free 'computer' designed for SDI
Second to none

KIWI has everything to suit your needs

- Dual SDI Inputs
- Analogue input
- SDI and composite Outputs
- Power fail relay bypass (SDI to SDI)
- Redundant Power Supply
- Ethernet connection
- GPI I/O
- Field upgradable firmware from Compact Flash

Tcube



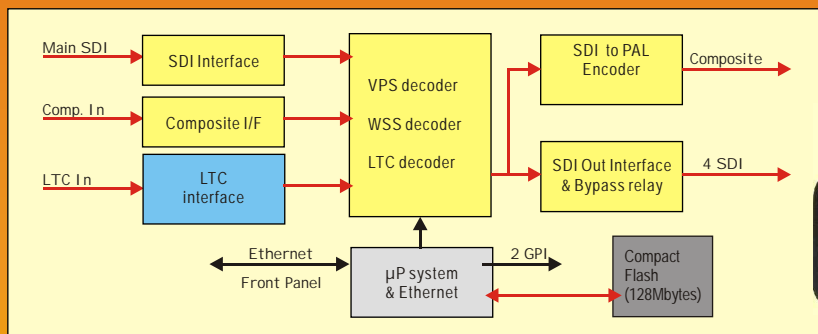
VW50

VPS, WSS supervision

Tcube

VW50 features

- Serial 4:2:2 Input and Outputs, Ancillary composite Input, PAL monitoring Output
- Bypass relay on power fail
- Detection of missing SDI, missing VPS, missing WSS/AFD, missing LTC
- Time index from LTC or from internal real time clock
- On Screen Display of decoded VPS and WSS content (on SDI or ancillary composite ins)
- 2 GPI Out (potential free) with selectable alarms
- Total control from front panel
- 10baseT Ethernet network connector
- 1RU height, half 19" width (2 units in 1RU)



ORDERING INFORMATION

KIWI-N/KIWI

- Universal SDI to SDI OS free computer
- External Power Supply
- No Ethernet network (KIWI-N), 10 base T network capability (KIWI)

VW50 application

- detection of missing SDI, VPS, WSS
- VPS and WSS decoders (from SDI or Composite Ins)
- On Screen Display (SDI) of decoded VPS and WSS contents

RM1

- Rack mounting mechanics for 1 or 2 KIWI modules

RPSU

- Redundant & Hot Swap external Power Supply

Doc 2004-05 VW 1.10

VW100/200

Tcube

VPS, AFD/WSS supervision and documentation

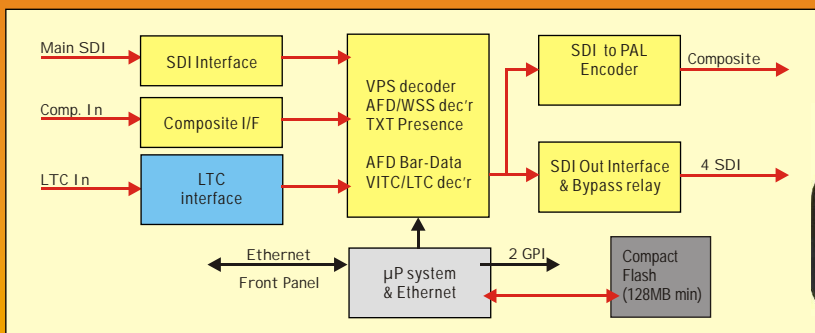
VW100 features

- Serial 4:2:2 Input and Outputs, Ancillary composite Input, PAL monitoring Output
- Bypass relay on power fail
- Detection of missing SDI, missing VPS, missing WSS/AFD, missing LTC
- 7days/24 hours continuous records of VPS, AFD/WSS TXT, ... (from SDI or composite) on local compact flash for documentation purposes
- Time index from LTC or from internal real time clock
- Immediate report of last past events (VPS WSS AFD Bar-Data, TXT presence ... changes) on SigWatch, PC software running under Windows 2000 or XP
- 2 GPI Out (potential free) with selectable alarms
- Total control from front panel or from SigWatch software
- 10baseT Ethernet network connector
- 1RU height, half 19" width (2 units in 1RU)

SigWatch

VW200 additional features

- OSD display of decoded VPS and AFD/WSS content



ORDERING INFORMATION

KIWI

- Universal SDI to SDI OS free computer with 10Base T Ethernet
- External Power Supply

VW100 application

- detection of missing SDI, VPS, WSS
- VPS and AFD/WSS decoders (from SDI or Composite Ins)
- Record on compact flash of VPS, AFD/WSS contents TXT presence, AFD Bar-Data
- Real time display of last changes on VPS, AFD/WSS, source status,... on computer screen (SigWatch software)

VW200 application

- same as VW100 plus
- On Screen Display (SDI) of decoded VPS, AFD/WSS contents, AFD Bar-Data

RM1

- Rack mounting mechanics for 1 or 2 KIWI modules

RPSU

- Redundant & Hot Swap external Power Supply

Doc 2009-06 VW 2.00